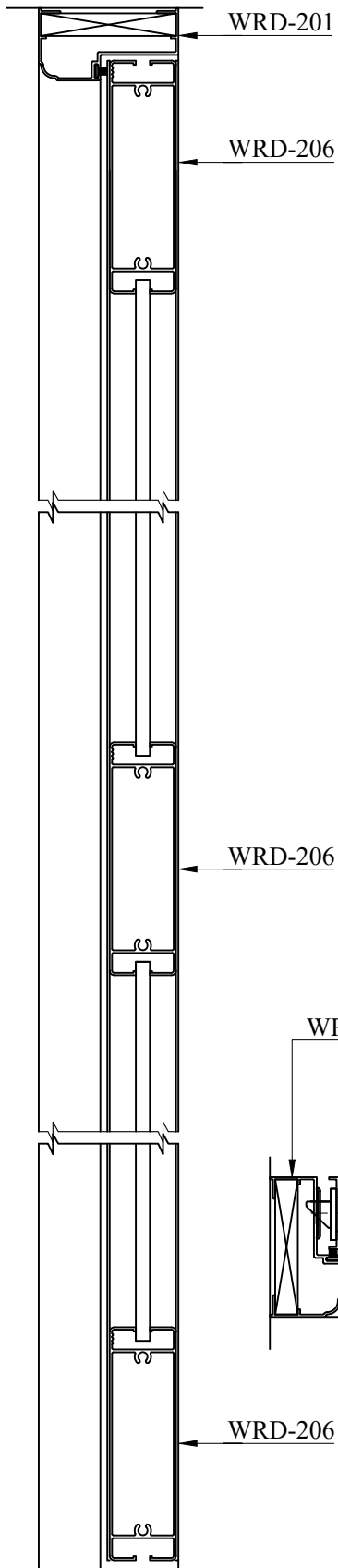
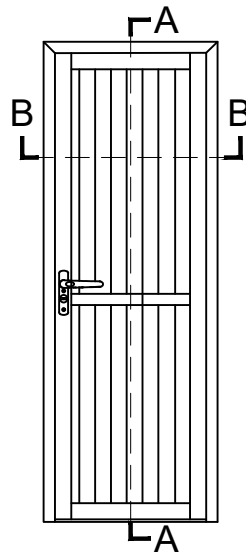


Bathroom / Room Door

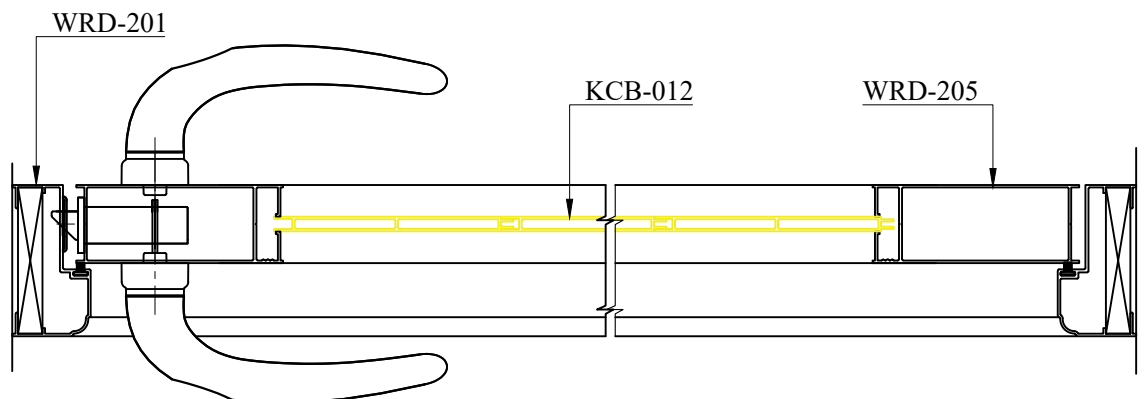
Item	Size	Q.T
70SM-1011	57 mm	02
Rivet	$\frac{1}{8} \times \frac{1}{4}$	08
Rivet	$\frac{1}{8} \times \frac{1}{2}$	08
Screw	2" PH	20
Wall plug	6 size	08
Hinge	4"	03
Two point lock with handle	-	01
End Cap	-	14
Threaded bar	Ø5mm - 600mm	02



Section :- A-A



ELEVATION



Section :- B-B