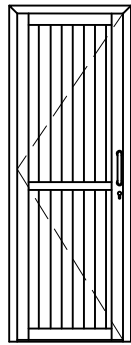
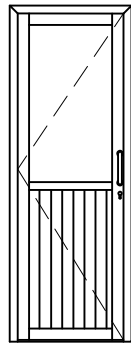


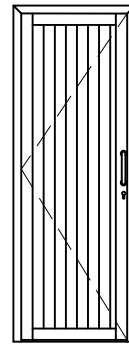
# Bathroom Door Configuration



ELEVATION

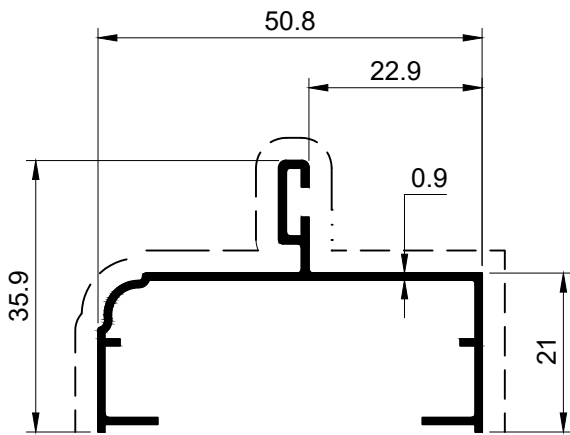


ELEVATION

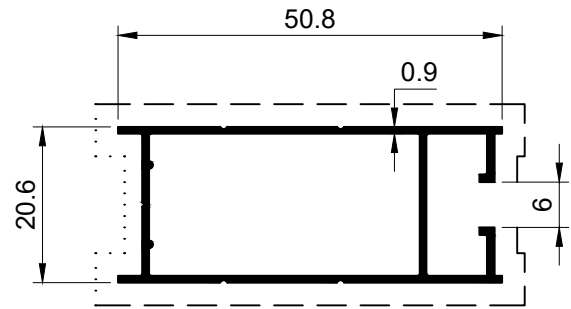


ELEVATION

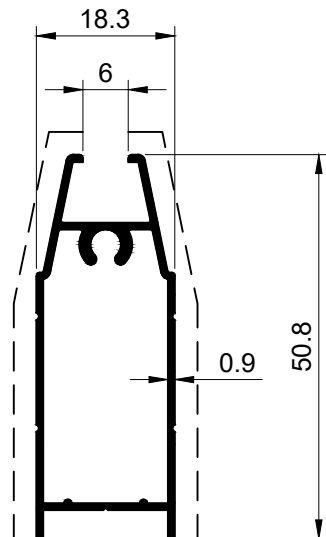
# Bathroom Door Profiles



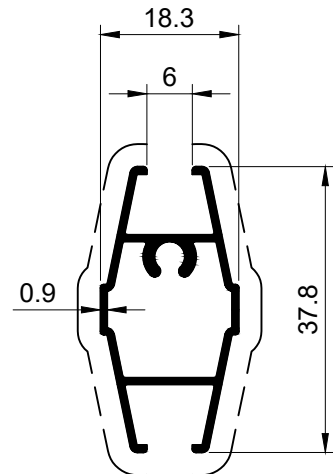
SECTION NO. - WRD-101  
EST. WEIGHT - 0.328 KG./M.



SECTION NO. - WRD-102  
EST. WEIGHT - 0.378 KG./M.



SECTION NO. - WRD-103  
EST. WEIGHT - 0.367 KG./M.



SECTION NO. - WRD-104  
EST. WEIGHT - 0.304 KG./M.