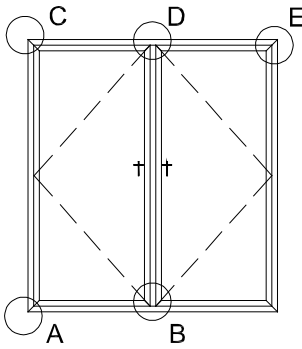
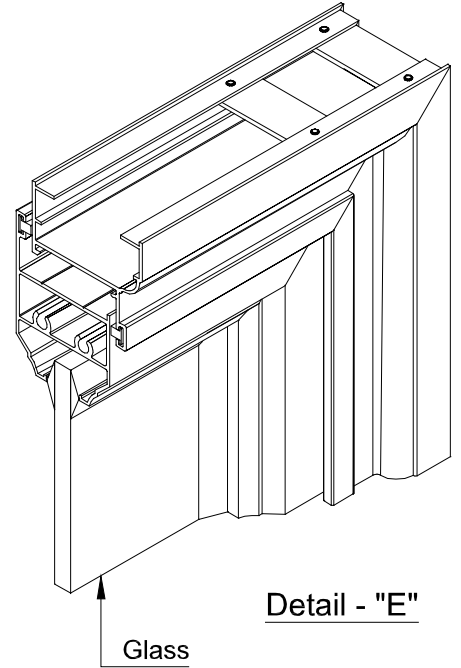
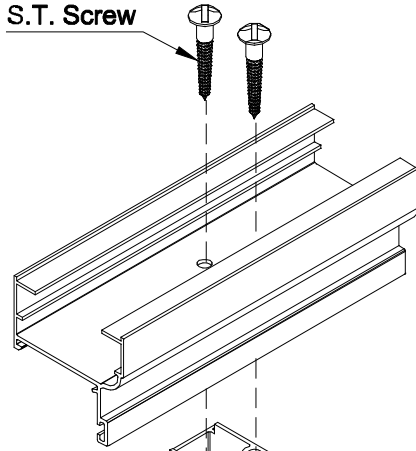


3D Assembly Detail Of 41mm Lapped Casement



S.T. Screw



Detail - "E"

Glass

LCA-108

Detail - "D"
Head & Mullion Joint

LCA-108

LCA-107

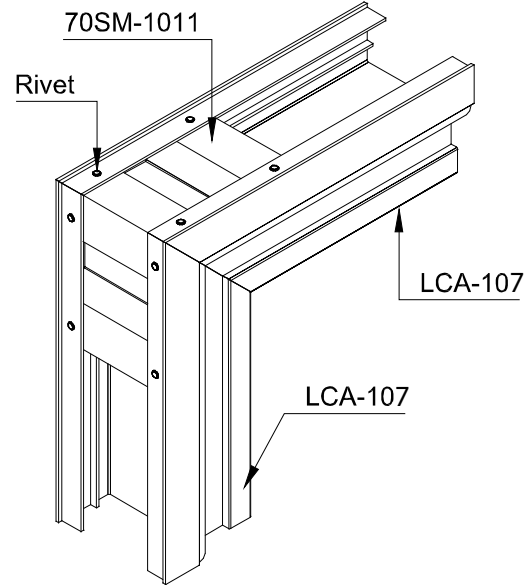
LCA-205

Detail - "B"
Sill & Mullion Joint

S.T. Screw

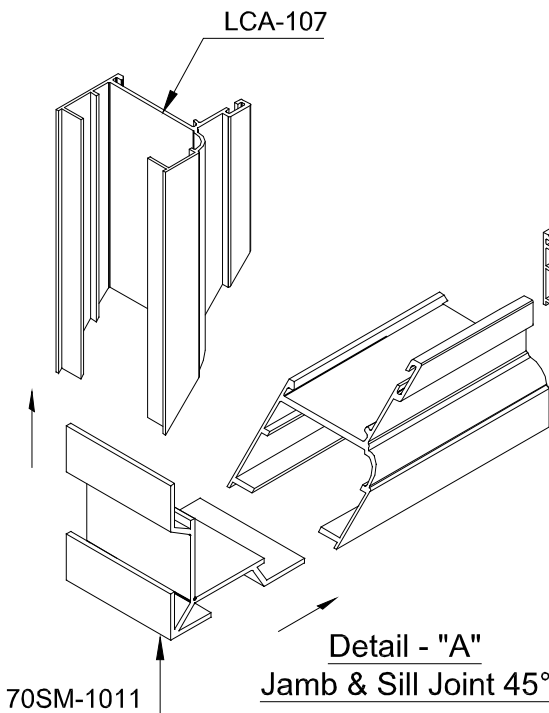
S.T. Screw

Sash Corner Joint 45°



Detail - "C"
Head & Jamb Joint 45°

LCA-107



Detail - "A"
Jamb & Sill Joint 45°

70SM-1011

70SM-1011

Rivet

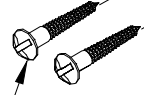
LCA-107

LCA-107

Detail - "B"

Sill & Mullion Joint

S.T. Screw



S.T. Screw

Sash Corner Joint 45°