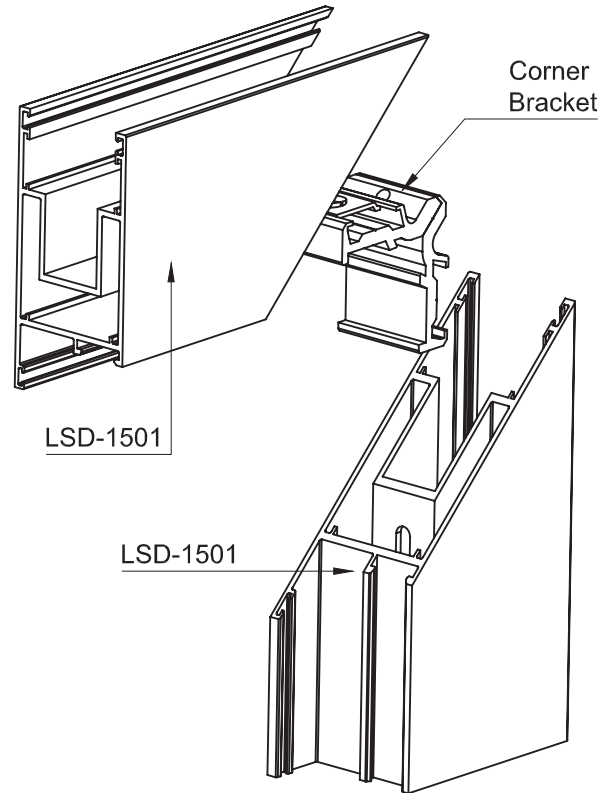
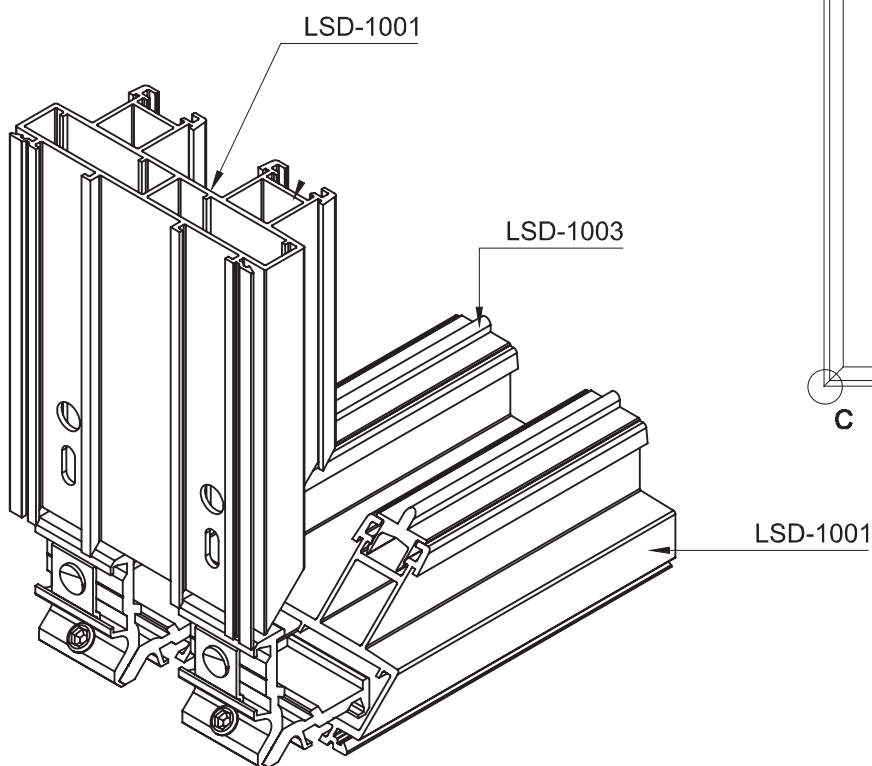


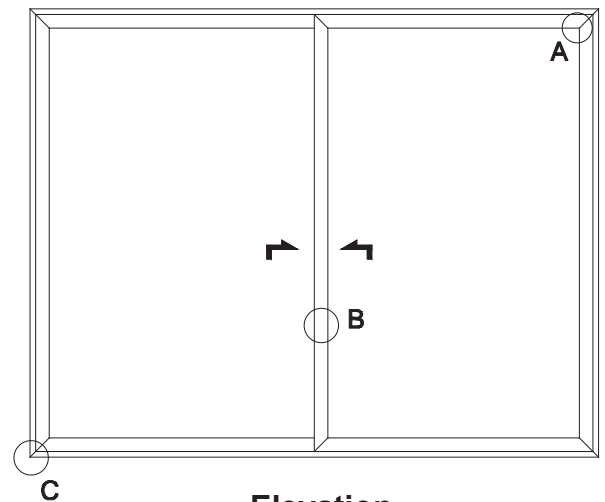
Detail- "B" Sash Interlock



Detail- "A" Sash 45° Joint



Detail- "C" Sill 45° Joint



Elevation