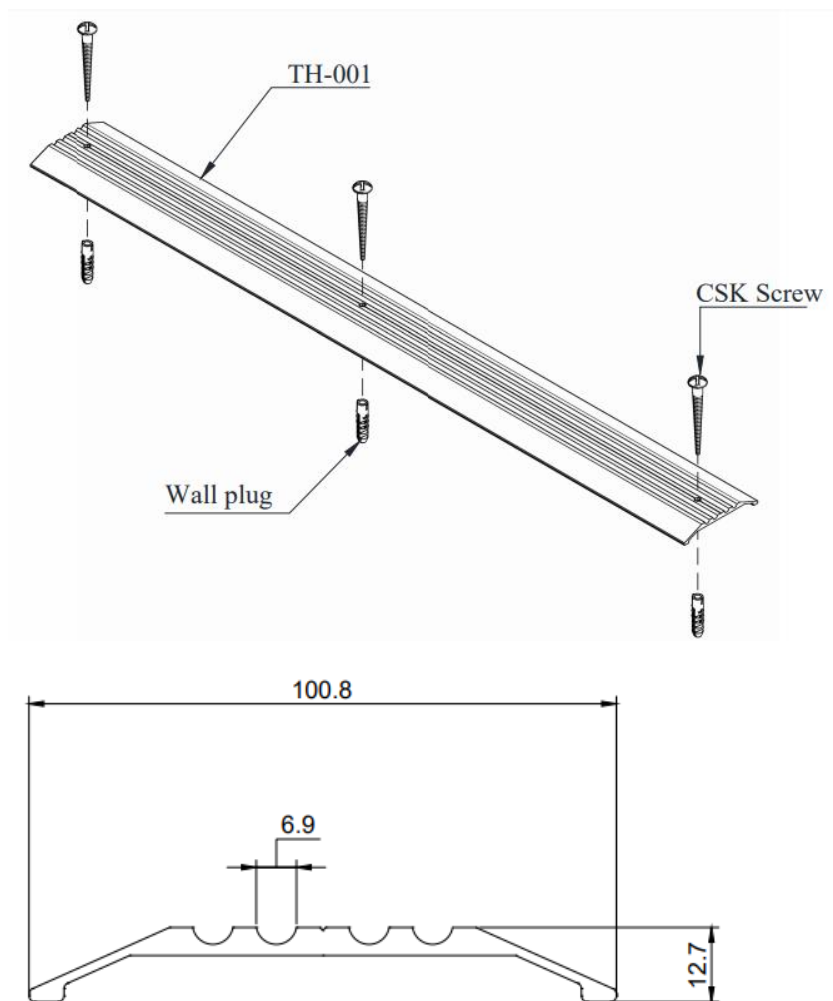


Alumex Thresholds Installation Manual

Description

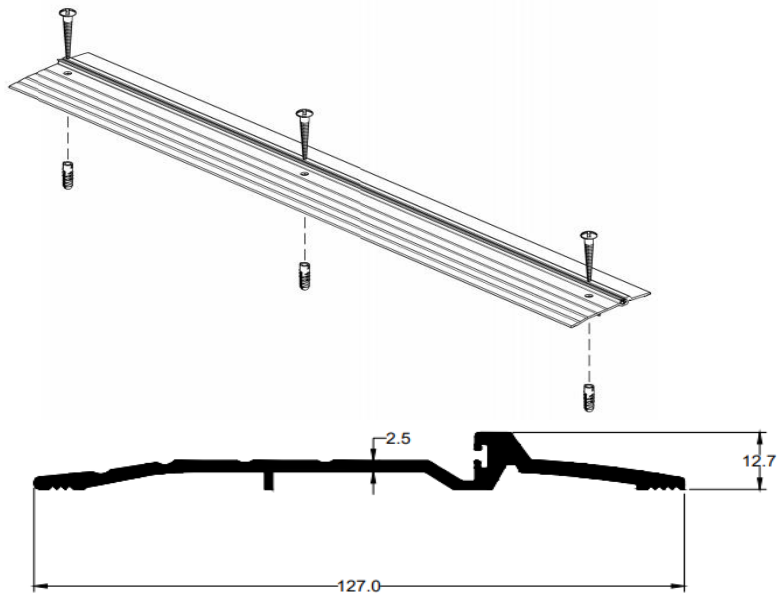
Aluminum door threshold transition strips are the edging and junction profiles which form a smooth surface where will be screwed using countersunk screws to the pre-drilled wall plug inserts on the ground.

Threshold Type 1 (Commercial)



SECTION NO. TH - 001
EST. WEIGHT 0.850 KG/M.

Threshold Type 2 (Domestic)



Threshold with door stopper
EST. WEIGHT - 1.076 KG./M.

Installation Instructions

It is important that the door should be installed plumb and square, without being twisted or distorted in any way.

Step 1

Drill holes as showed in the diagram with even distances.

Step 2

Insert wall plugs to the drilled holes and tap them flush with the floor level.

Step 3

Firstly, insert the rubber beading if you are installing TH-002 and then Insert screws through threshold holes and tight it firmly on to the wall plugs. Make sure screws are tightening and inside the countersunk holes.