

The little things make a big difference.

**ALUMEX**  
**SOLAR**  
**Clamps & Connectors**



 **ALUMEX**<sup>®</sup>  
*Ultimate in Aluminium Profiles*

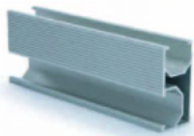
The little things make a big difference

# ALUMEX SOLAR

Clamps & Connectors



## Alumex Mounting Rail



Profile Number	Length (mm)
Alu-S23	6100
Alu-S23	4200

## T Clamp



T Clamp Types	Bolt Size (mm)
T Clamp Set 40mm bolt-45mm	45
T Clamp Set 40mm bolt-50mm	50
T Clamp Set 40mm bolt-55mm	55
T Clamp Set 40mm bolt-60mm	60

## Angle Clamp



Angle Clamp Types
Angle Clamp Set-H 33mm
Angle Clamp Set-H 40mm
Angle Clamp Set-H 45mm

## Connector Clamp



## Serrated Angle Clamp

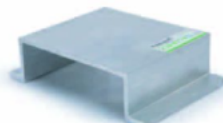


Serrated Clamp Types	Hole Diameter (mm)
Serrated Clamp Set 40mm (D10)	10mm
Serrated Clamp Set 40mm (D06)	6mm

## Serrated Clamp with Hanger Bolt

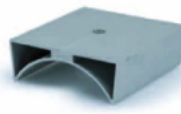


## Amano Roof Mounting base



Amano Roof Mounting Base Types	Wave width
Amano Roof Mounting Base 60mm	60mm
Amano Roof Mounting Base 100mm	100mm

## Asbestos Roof Mounting base



## Adjustable tile hook



## Height Adjustable Plate



## Trapezoid Roof Base



Trapezoid Roof Base Types	Wave width
Trapezoid Roof Base 60mm	60mm
Trapezoid Roof Base 150mm	150mm

## Extended Serrated Angle



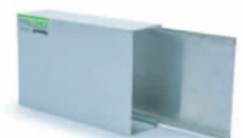
## Trapezoid Serrated Angle



## Roof Base Bracket



## Cable Trunking Box



Cable Trunking Types	Width of the Trunk
Cable Trunking -76mm	76mm
Cable Trunking-100mm	100mm

## Top Hat System



## Solar Accessories - Lock Nut/Aluminium Nut



ALUMINIUM NUT



LOCK NUT





Alumex solar accessories and mounting systems work together to make your job simpler. High quality, cost effective and easy to use, they fit together seamlessly for a streamlined installation process.

### Solar installation benefits on ALUMEX Components

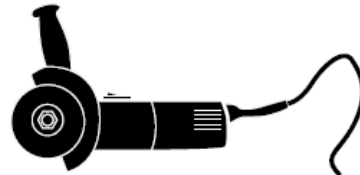
- Maintains the stability needed to resist shifting caused by wind and other stresses on a solar panel array.
- Frames and supports generated By Alumex aluminium extrusions are lighter and stronger than other Products in the market.
- Alumex aluminium clamps and connectors are corrosion-resistant.
- Permits flexibility in the design of supports and frames for solar panels.
- Alumex extruded aluminum tubing can be connected at typical and exact angles requiring fewer parts and connections.
- The ease of transport and assembly makes it a cost-effective choice.
- Alumex aluminum extrusion applications form a solid foundation for the expansion of green power from the solar energy.
- Available Ex-stock.

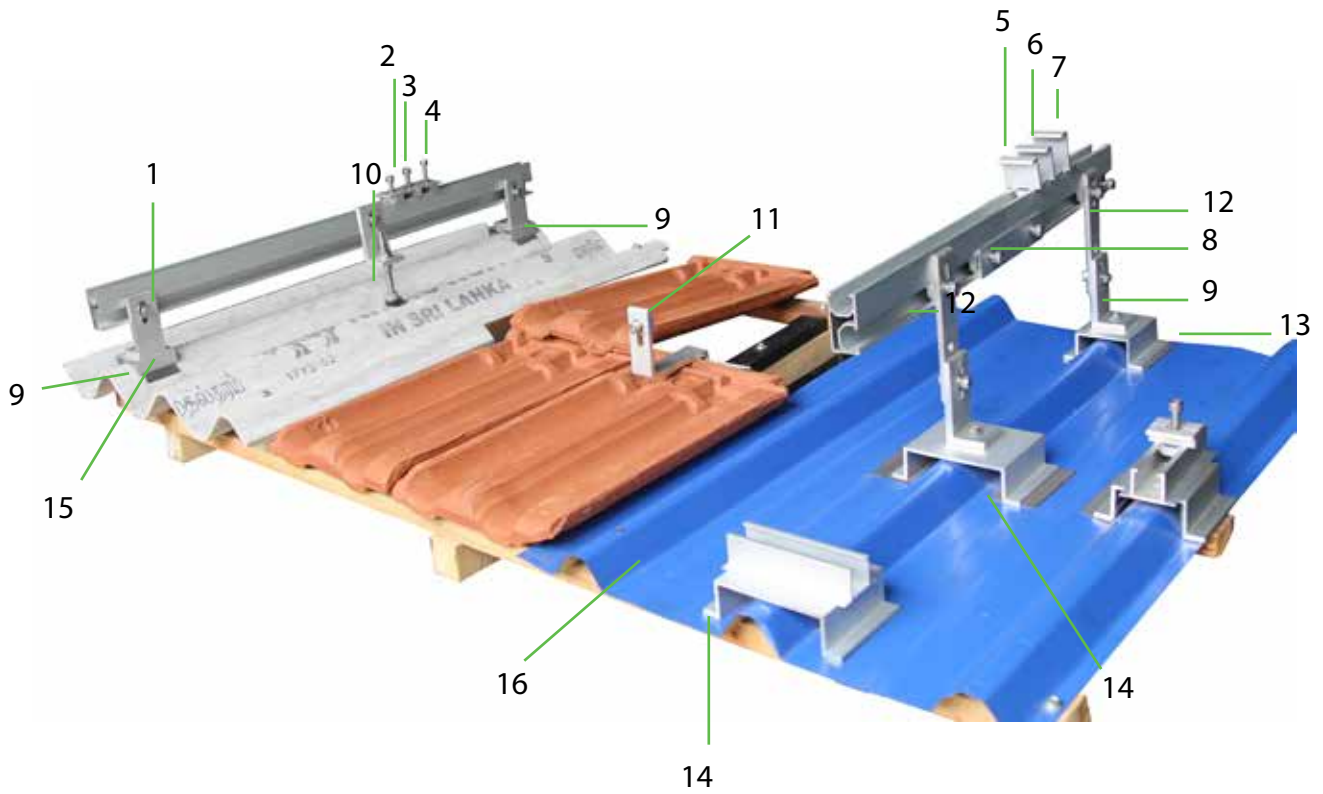
**ALUMEX**  
**SOLAR**  
Clamps & Connectors

## Tools for Installation

The following tools are required for the installation:

- 6 mm Allen key or hexagonal driver bit.  
If using a 6mm driver bit, make sure the cordless power tool used for the driving has a hand-tight clutch setting a fine (soft) impact drive to prevent damage to the fragile glass panels and threads on the Structure.
- Cordless drill;  
Drill or impact driver for driving roof material fixings
- Angle grinder;  
For terracotta tile roof installation, and angle grinder fitted with a continuous edge diamond tipped tile cutting blade; gloves, hearing protection, a face protection mask, and a suitably rated breathing protection mask for all people in proximity of grinding
- Gloves;  
Protect the hazard of the sharp corners.
- Cord or color pen;  
Mark the installation position.
- Spirit level
- Rule
- If necessary, timber to shim the roof hooks





1. Alumex Mounting Rail (Alu-S23)
2. T ClampSet Bolt-50mm
3. T ClampSet Bolt-55mm
4. T ClampSet Bolt-60mm
5. Angle Clamp Set -H 33mm
6. Angle Clamp Set -H 40mm
7. Angle Clamp Set -H 45mm
8. Connector Clamp
9. Serrated Angle Clamp
10. Serrated Angle Clamp with Hanger Bolt
11. Adjustable Tile Hook
12. Height Adjustable Plate
13. Amano Roof Mounting Base 60mm
14. Amano Roof Mounting Base 100mm
15. Asbestos Roof Mounting Base
16. Roof Base Bracket (Alu-S39)

## Alumex Mounting Rail



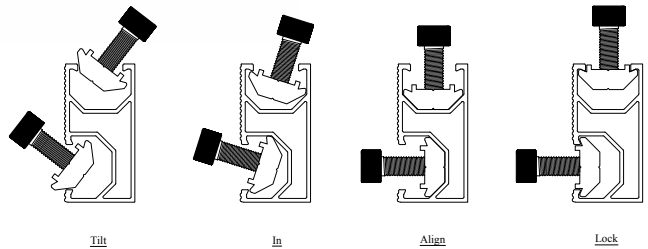
### Alumex Mounting Rail (Alus-23)

Alumex Solar Mounting is designed for tile roof and tin roof. It comes with high quality, high strength and low cost.

#### Features

1. High quality anodized Aluminium
2. Material – Aluminium Alloy 6063, Temper T5 & Bolt SUS 304 A2-70

Profile Number	Length (mm)
Alu-S23	6100
Alu-S23	4200



## T Clamp



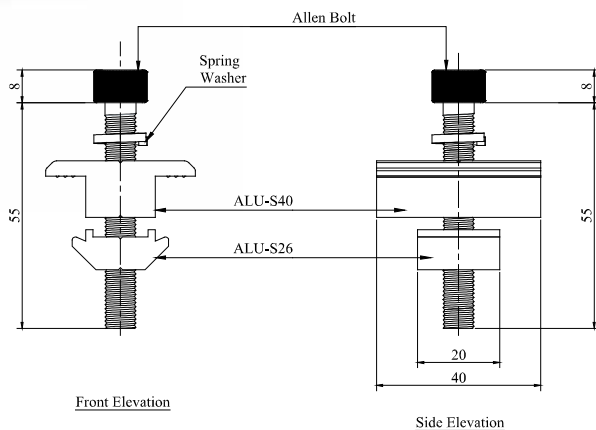
### T Clamp Kit for Framed Modules

1. Fit between two panels
2. Fastened with a 6mm Allen key
3. Standard pre-assembly for the usual panels with thickness 30, 35, 40, 46, 50, 57mm

#### Features

1. Accommodate different types of PV solar panels
2. Material – Aluminium Alloy 6082, Temper T6 & Bolt SUS 304 A2-70
3. Easy and fast installation

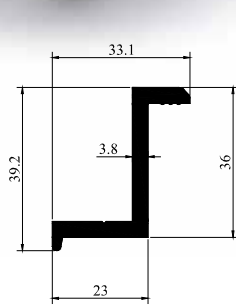
T Clamp Types	Bolt Size (mm)
T Clamp Set 40mm bolt-45mm	45
T Clamp Set 40mm bolt-50mm	50
T Clamp Set 40mm bolt-55mm	55
T Clamp Set 40mm bolt-60mm	60



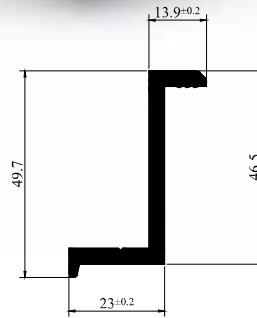
## Angle Clamp



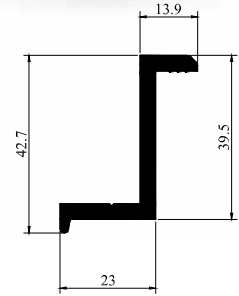
Angle Clamp Types  
 Angle Clamp Set-H 33mm  
 Angle Clamp Set-H 40mm  
 Angle Clamp Set-H 45mm



SECTION NO. - ALU-S33  
 EST. WEIGHT - 0.682 KG./M.



SECTION NO. - ALU-S37  
 EST. WEIGHT - 0.790 KG./M.



SECTION NO. - ALU-S25  
 EST. WEIGHT - 0.718 KG./M.

1. Hold the edge of each end panel
2. Fastened with a 6mm Allen key
3. Standard pre-assembly for the usual panels with thickness 30, 35, 40, 46, 50, 57mm

### Features

1. Accommodate different types of PV solar panels
2. Material – Aluminium Alloy 6082, Temper T6 & Bolt SUS 304 A2-70
3. Easy and fast installation

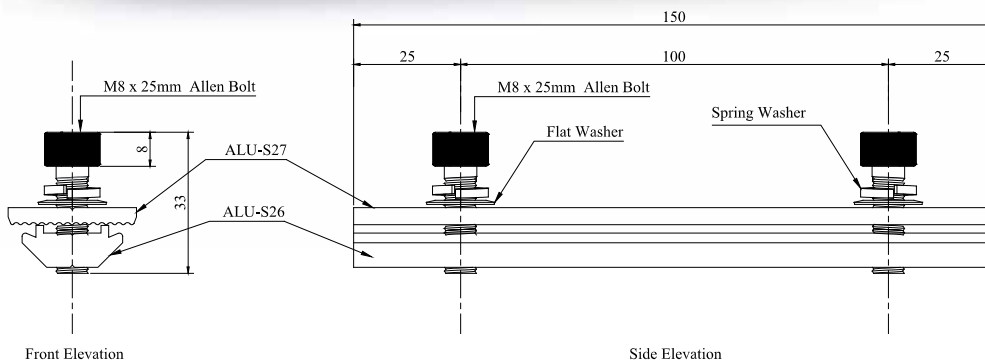
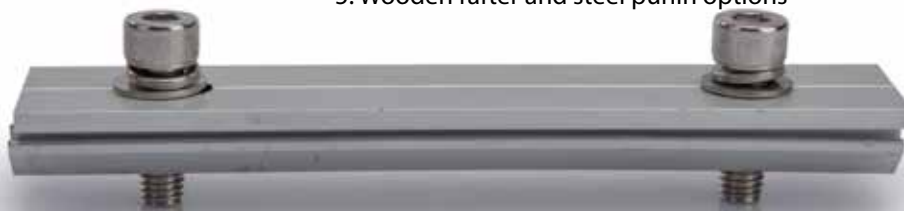
## Connector Clamp

Serrated Clamp with Hanger Bracket

Hanger Bolt apply to install on both wooden rafter and steel purlin. Both types can be applied with Serrated angle extend the height. We use M10x200mm Hanger bolt.

### Features

1. Fast and simple installation
2. Made of SUS 304
3. Highly corrosion resistant surface treatment
4. Waterproof EPDM rubber integrated
5. Wooden rafter and steel purlin options



## Serrated Angle Clamp



Serrated Clamp have been widely used on universal corrugated metal sheet, Asbestos roofs. It also can fix to the roof rafter directly. Plus, it can be applied with all kinds of hanger bolt and roof Clamps.

### Features

1. Simple and cost-effective installation
2. Material: Aluminum Alloy 6082 & SUS 304
3. Waterproof rubber gasket integrated
4. Apply for many kinds of metal roof

## Serrated Clamp with Hanger Bolt



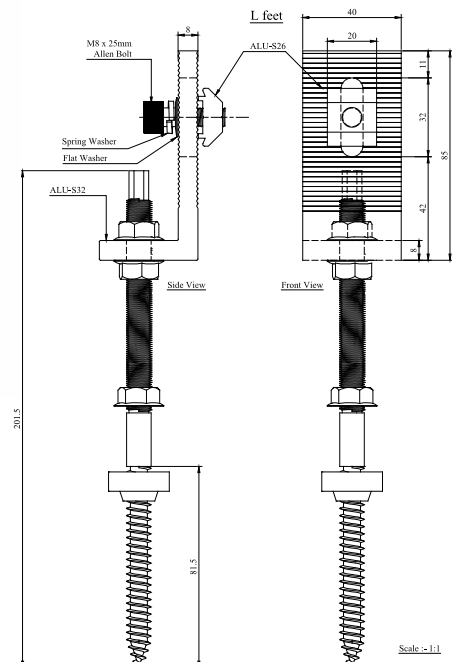
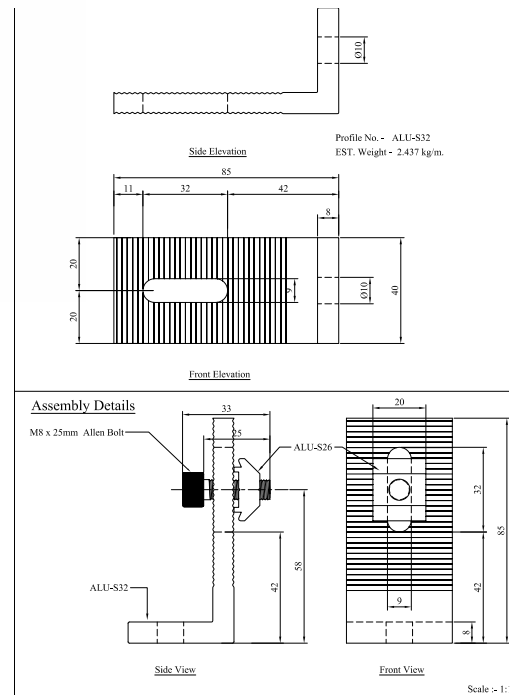
Hanger Bolt apply to install on both wooden rafter and steel purlin. Both types can be applied with Serrated angle to extend the height. We use M10x200mm Hanger bolt.

### Features

1. Fast and simple installation
2. Material: Aluminum Alloy 6082 & SUS 304
3. Highly corrosion resistant surface treatment
4. Waterproof EPDM rubber integrated
5. Wooden rafter and steel purlin options

### Serrated Clamp Types

Serrated Clamp Types	Hole Diameter (mm)
Serrated Clamp Set 40mm (D10)	10mm
Serrated Clamp Set 40mm (D06)	6mm





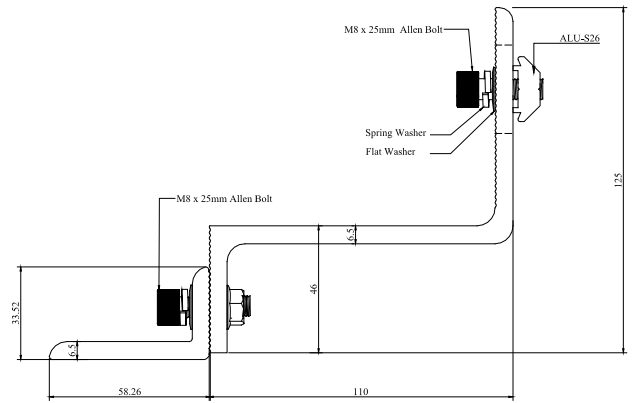
## Adjustable tile hook



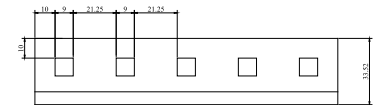
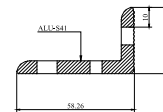
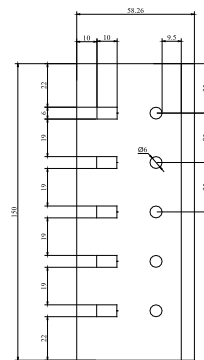
Adjustable Tile Hook can be adjusted horizontally and vertically, which extend the chance where regular tile hook can't be used.

### Features

1. Accommodate different types of PV solar panels
2. Custom-made tile hooks based on tile specifications
3. Material – Aluminium Alloy 6082, Temper T6 & Bolt SUS 304 A2-70
4. Easy and fast installation
5. No need to drill into tile
6. Slotted for easy adjustment



### Tile Roof Mounting Hook



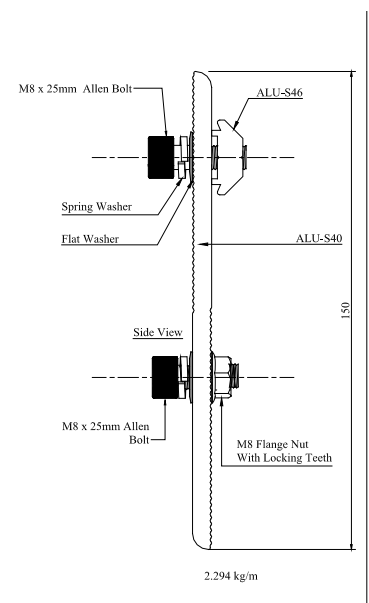
## Height Adjustable Plate



Height Adjustable plate is using to extend the height by simply fixing the plate to the Serrated angle clamp or Adjustable tile hook.

### Features

1. Accommodate different types of Solar components
2. Enable simple fast cost effective installation
3. Material: Al6082 & SUS 304
4. Easy and fast installation



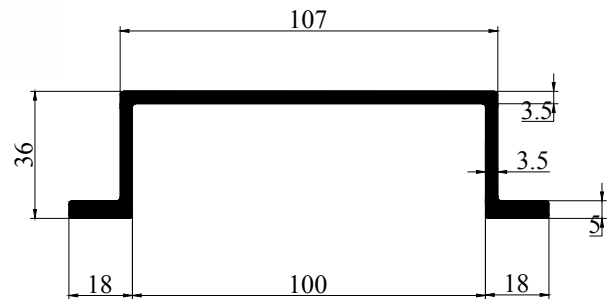
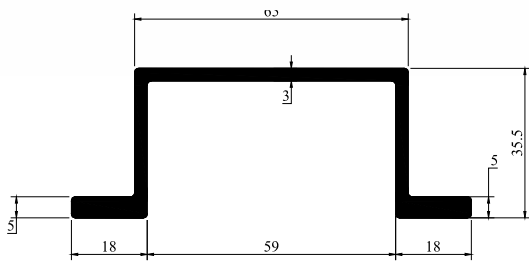
## Amano Roof Mounting Base

Amano Mounting Base Types	Wave width
Amano Roof Mounting Base 60mm	60mm
Amano Roof Mounting Base 100mm	100mm

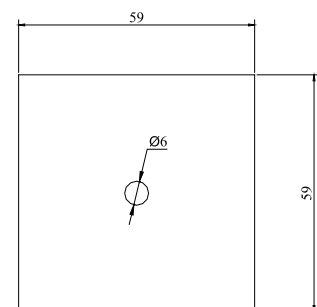
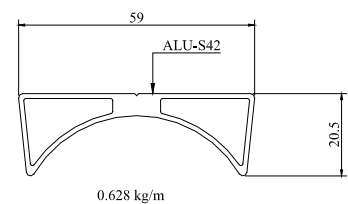
**Amano Roof Mounting Base**  
 Amano roof mounting base supplies the best solution to lay the rail horizontally and vertically to the trapezoid metal roof. This fixed to the roof purlin directly, supplying a strong solution.

### Features

1. Al6082, High Classed anodized Aluminium
2. Enables simple, fast and cost effective installation.
3. Total Solution Available for any type of Amano roofs.



## Asbestos Roof Mounting base

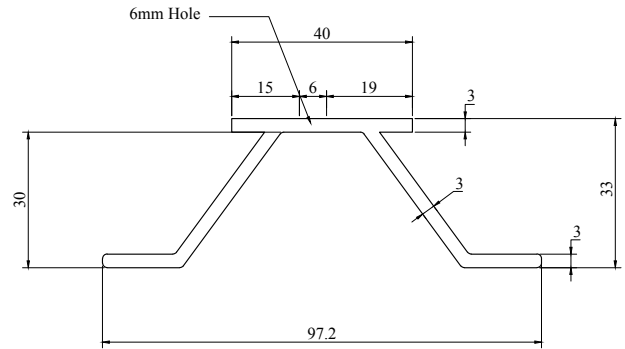


Asbestos roof mounting is specially design for asbestos roof and serrated angle can be place on it.

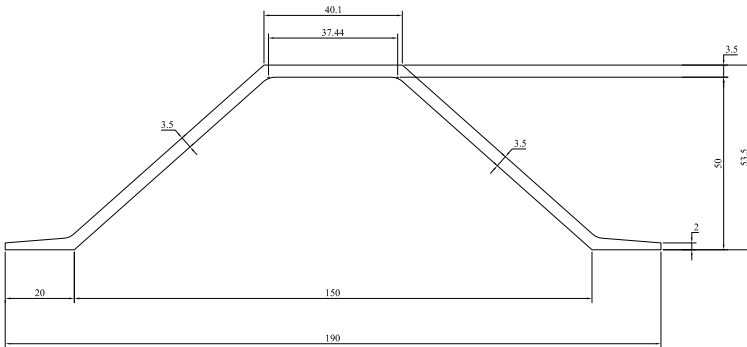
### Features

1. Al6082 High Classed anodized Aluminium
2. Enables simple, fast and cost effective installation.
3. Increase the stability

## Trapezoid Roof Base 60mm



## Trapezoid Roof Base 150mm



Trapezoid Roof Base supplies the best solution to lay the rail horizontally and vertically to the trapezoid metal roof. This fixed to the roof purlin directly, supplying a strong solution.

### Features

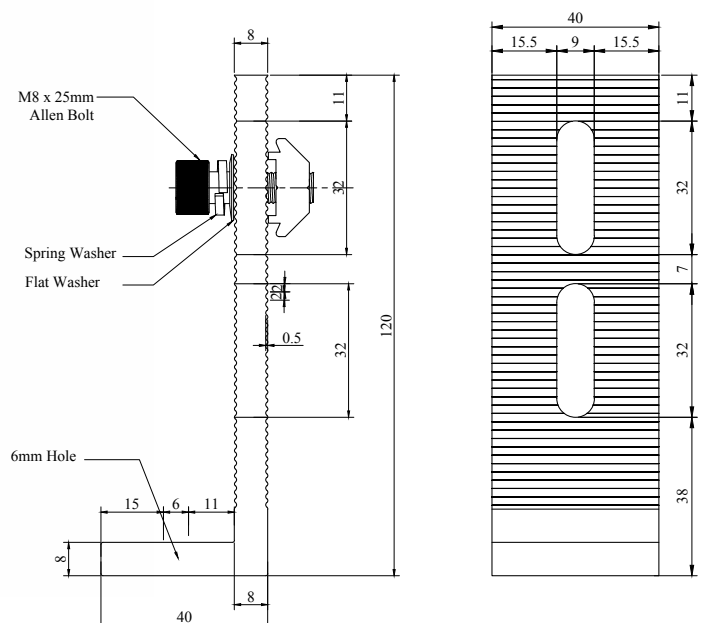
1. Al6082, High Classed anodized Aluminium
2. Enables simple, fast and cost effective installation.
3. Total Solution Available for any type of Amano roofs.

## Extended Serrated Angle

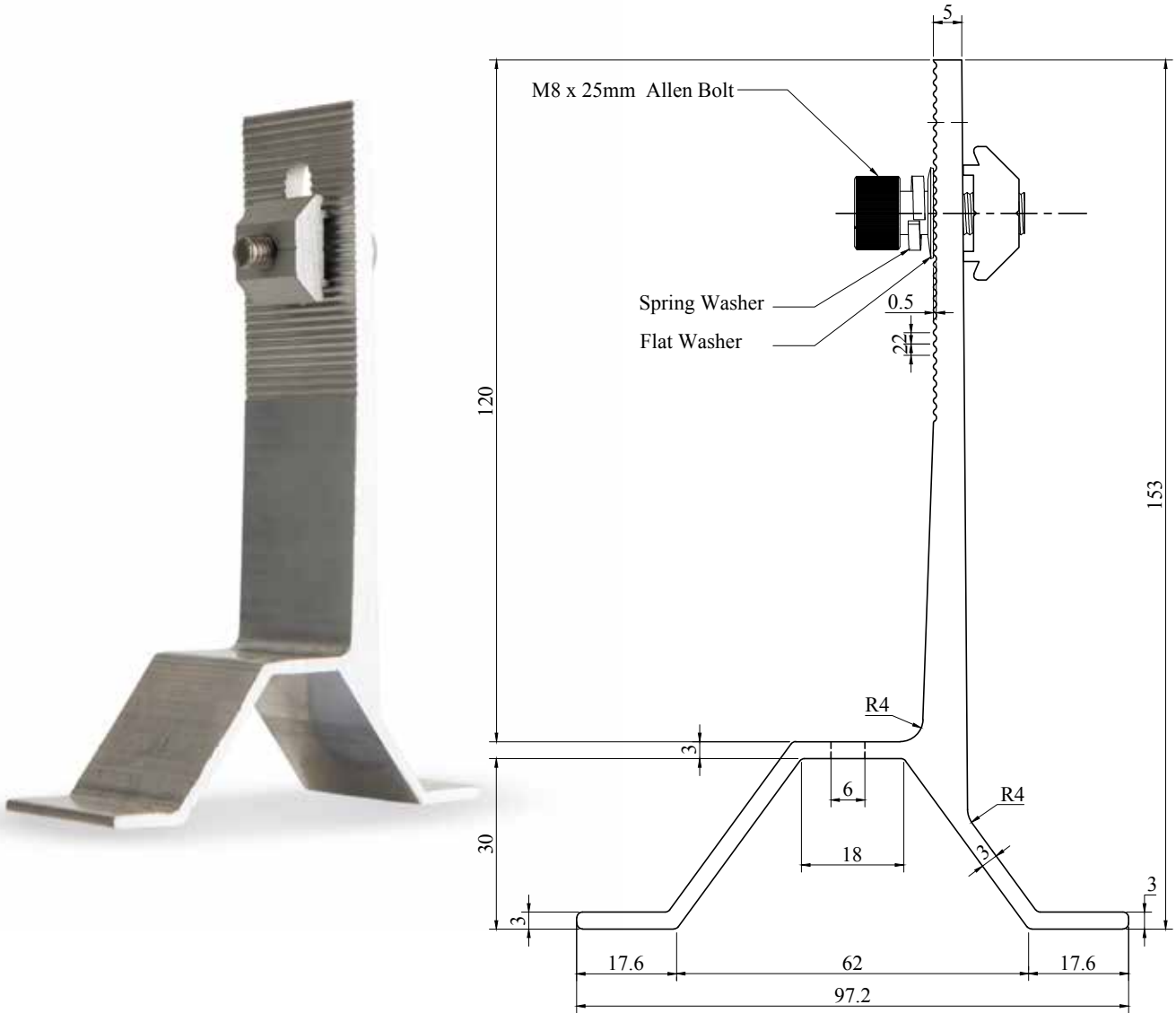
Extended Serrated Angle have been widely used on universal corrugated metal sheet, Asbestos roofs. It also can fix to the roof rafter directly. Plus, it can be applied with all kinds of hanger bolt and roof Clamps. It is an ideal solution to increase the ventilation between roof and the panels.

### Features

1. Simple and cost-effective in stallation
2. Material: Aluminum Alloy 6082 & SUS 304
3. Waterproof rubber gasket integrated
4. Apply for many kinds of metal roof



# Trapezoid Serrated Angle



## Trapezoid Serrated Angle

Trapezoid Serrated Angle supplies the best solution to lay the rail vertically to the trapezoid metal roof. This fixed to the roof purlin directly, supplying a strong solution.

### Features

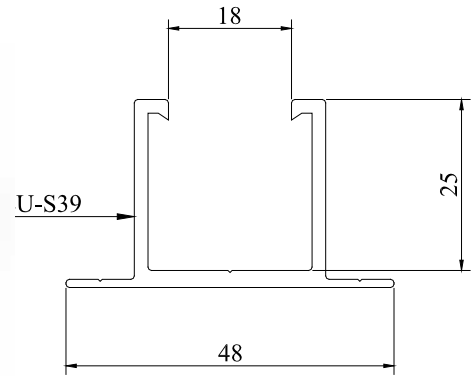
1. Al6082, High Classed anodized Aluminium
2. Enables simple, fast and cost effective installation.
3. Total Solution Available for any type of Amano roofs.

## Roof Base Bracket

Alumex Solar roof base bracket design for any type of trapezoid and corrugated metal sheet roofs.

### Features

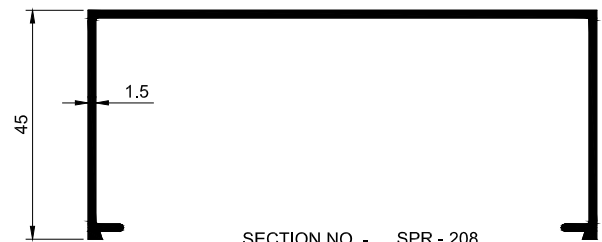
1. Enable simple fast cost effective installation
2. Al6082 High class anodized Aluminium
3. No need extra rail
4. Rail free, cost effective



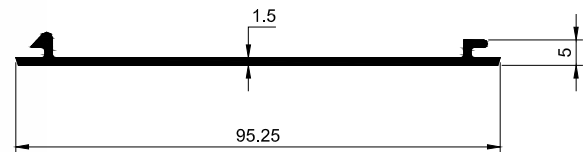
EST. Weight - 0.559 kg./m.

## Cable Trunking Box

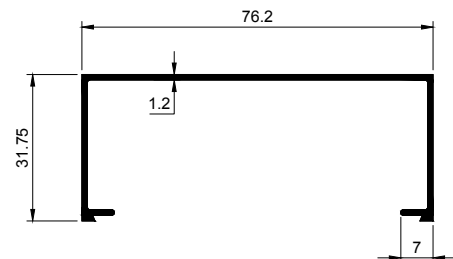
Cable Trucking Types	Width of the Trunk
Cable Trucking -76mm	76mm
Cable Trucking-100mm	100mm



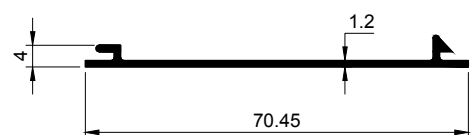
SECTION NO. - SPR - 208  
EST. WEIGHT - 0.810 KG./M.



SECTION NO. - SPR - 209  
EST. WEIGHT - 0.443 KG./M.



SECTION NO. - SPR - 108  
EST. WEIGHT - 0.491 KG./M.



SECTION NO. - SPR - 109  
EST. WEIGHT - 0.270 KG./M.

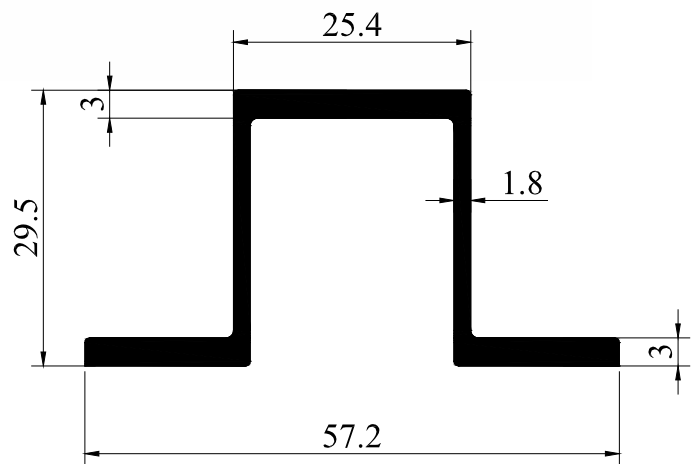
Alumex Solar cable trunking series is Single compartment aluminium trunking combines an elegant design with practical functionality - the ultimate in prestigious installations.

All Trunking Assemblies comprise body and lid.

### Features

1. Attractive, aesthetically pleasing trunking profile
2. Ease of installation
3. Vast selection of colours
4. Al6063, T5

## Top Hat System



### Features

1. Fast and simple installation
2. High quality anodized Aluminium
3. Material – Aluminium Alloy 6082,T6 & Bolt SUS 304 A2-70

SECTION NO. - ST - 3504

EST. WEIGHT - 0.721 KG./M.

## Solar Accessories - Lock Nut/Aluminium Nut



ALUMINIUM NUT



HANGER BRACKET



SOCKET HEAD SCREW



LOCK NUT

The little things make a big difference.

# ALUMEX SOLAR

Clamps & Connectors

Alumex has an islandwide network of dealers who maintain stocks of profiles in popular colours to service all our customers. Alumex also has several warehouses located strategically to service the dealers.

### Technical Information

Material	Aluminium Alloy & Stainless Steel
Colour	Natural/Bronze
Anti-Corrosive	Anodized
Warranty	Ten Years
Durability	More than 20 years



Pattiwila Road, Sapugaskanda, Makola.  
Sri Lanka  
Tel:+94 11 2400332  
Fax:+94 11 2400415/2400929  
E-mail: [marketing@alumexgroup.com](mailto:marketing@alumexgroup.com)  
[www.alumexgroup.com](http://www.alumexgroup.com)

