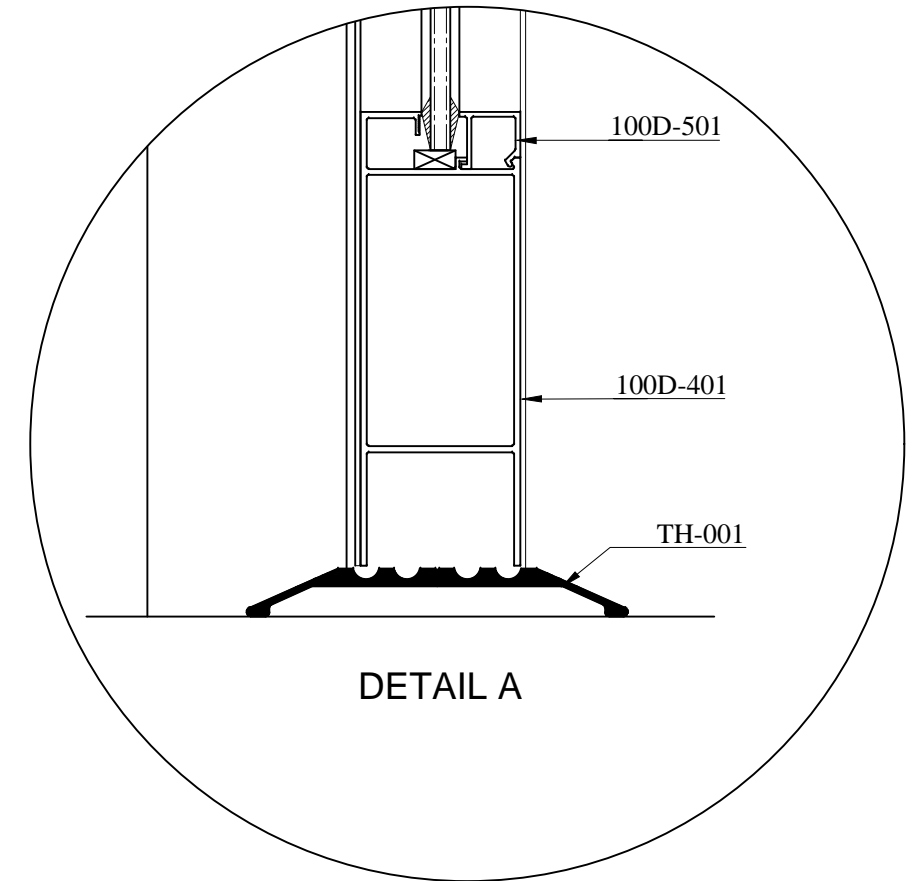
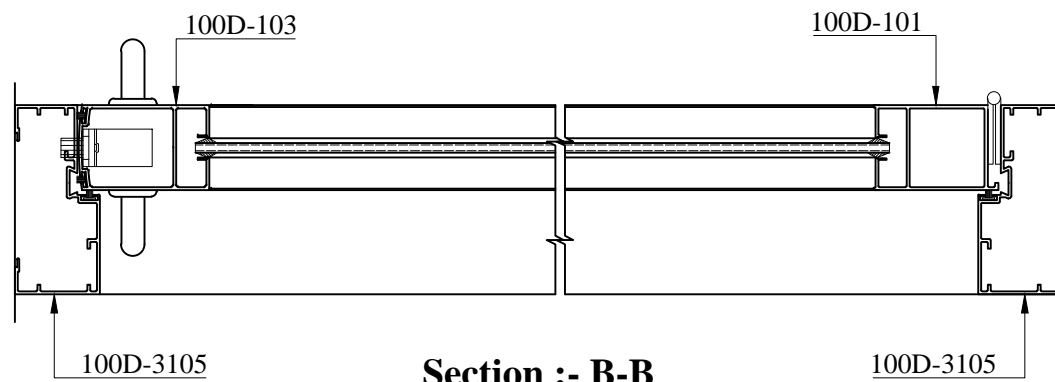
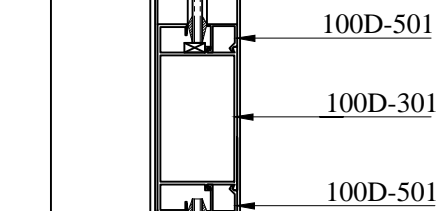


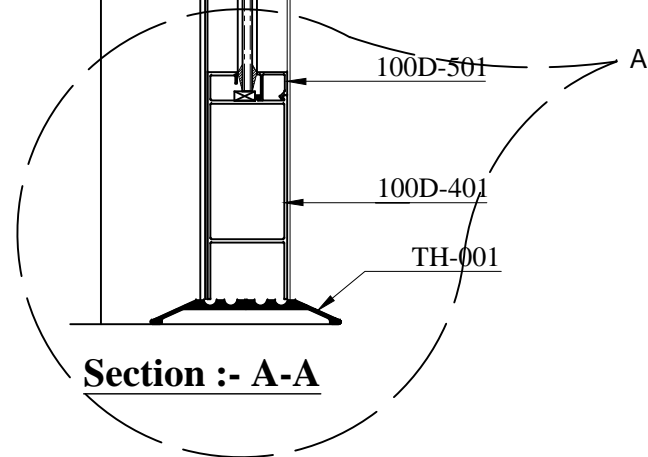
**Elevation Of D1**



**DETAIL A**



**Section :- B-B**



**Section :- A-A**